



MULMUF Ltd.

MANUFACTURERS OF EXHAUSTS FOR INDUSTRIAL AND OFF-ROAD EQUIPMENT





R.O.I Factory (Co, Sligo)



N.I Factory (Co, Tyrone)



Mulmuf was established in Tubbercurry Co Sligo by the current Managing Director Mr John Mulkeen. The company manufactures exhausts systems for the many different types of engine powered machinery, ranging from smaller applications for Generators, Diggers, Tractors & Forklifts right up to the larger silencer requirements such as large Diesel Generators and Earthmoving / Screening equipment.

(1989) Mulmuf was founded in Tubbercurry, Co Sligo.

(2000) Due to product demand we added a 5000 sq ft extension to our factory in Co Sligo.

(2001) To cater for our many Northern customers we opened a new factory in Dungannon, Co Tyrone

(2002) To maintain best Quality, Delivery, and Price targets we upgraded production equipment buy investing in new Mandrill pipe benders, CNC Rollers, Automatic welders. etc.

(2003) All employees achieved NQA qualifications.

(2003) Company achieved ISO 9001 status. Our quality system ensures and promotes good engineering practices. We maintained our quality system and are audited yearly.



(2008) New Testing Facility with high end software for detailing performance data.

Mulmuf offers all our customers excellent quality at competitive prices, our J.I.T delivery service greatly reduces customers handling and storage costs. We have a proven track record when it comes to meeting tight dead lines, and hope you will consider us when it comes to your exhaust requirements.



MULMUF LTD

Sligo Road Tubbercurry, Co Sligo, Ireland
Tel : +353 (0) 7191 85594 Fax : +353 (0) 7191 85846
e-mail: info@mulmuf.com

MULMUF NI LTD

199 Killyman Road Dungannon, Co Tyrone, N. Ireland, BT71 6LN
Tel : 028 87 727992 Fax : 028 87 727972
e-mail : sales@mulmuf.com

Generator Products

Mulmuf produces Exhaust Systems for all your generator needs. Our design engineers can pre design your Silencers and Pipework requirements, thus ensuring ease of installation. All our silencers are custom built to fit engines ranging from 10 KVA to 2500 KVA.

Silencers can be Industrial or Residential designs. At Mulmuf we have the advantage of our state of the art test facility and equipment, which means Silencers can be designed and tested to meet the customers noise requirements. We will work closely with all our customers to ensure that any exhaust systems we provide will run as efficient as possible, thus saving of fuel costs.

As well as providing Exhaust Systems for standard Gen sets, if required we can design and supply internal or external Catalytic Converter units to suit. Catalytic converters effectively reduce engine exhaust emissions, including NOx, CO2, Hydrocarbons, Formaldehydes and Particulates.

We currently supply Exhaust Systems to many of the world leaders in Generator manufacturing sector, such as Caterpillar / FG Wilson & AJ Power. We already have a wide range of designs to suit many of the most popular engine types, such as Perkins, Cummins, Volvo, Scania, MTU ect. So why not let Mulmuf do the thinking for you when it comes to your Exhaust needs?



Digger & Tractor

Mulmuf manufactures and supplies Digger Silencers, Manifold Pipes and Stack Pipes to fit machinery for all of the leading manufactures of earthmoving equipment. Any other models which are not listed can be made on request, although a sample may be required.

- Hitachi
- Caterpillar
- Fiat Kobelco
- Atlas
- JCB
- Komatsu
- Samsung
- Deutz
- Volvo
- Summitumo
- O&K
- New Holland Kabelco
- Kobelco
- Daewoo
- Halla
- Thwaites

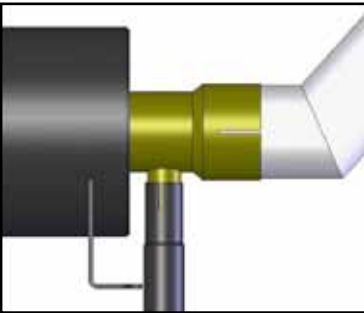
We also manufacture Silencers, Stack & Manifold pipes to fit many of the most popular Tractor models in the market.

- John Deere
- Ford
- New Holland
- Massey
- Same
- Lamborghini
- Case
- Landini

All of the most common ranges are stored as stock items and can be collected or sent out for next day delivery anywhere in the UK or Ireland. All products are manufactured in-house and can be supplied with either an Aluminised or Heat Resistant black paint finish.



Screening



Mulmuf manufactures Exhaust systems for many of the market leaders in the Screening and crushing industry. We will work closely with your design team to make sure you get the correct application to fit your power pack. We can advise you on the most economical and cost efficient way for your Exhaust system to run.

All products can be made from Aluminised, Mild or Stainless Steel.

Mulmuf can offer exhaust kits with a built in vacuum attachment which extracts the dirty air from the engine and burns it out through the silencer outlet pipe. These Vacuum units can be supplied as a separate attachment or can be designed into the silencer. By having them built into the silencer the customer will save on cost and also minimising the length requirements of the stack pipe.



Forklift & Agricultural

Mulmuf manufactures Exhaust systems for the forklift and agricultural sectors. These ranges vary from Diesel and Gas powered forklift trucks, all types of farm equipment such as Handlers, right up to and including large Combine Harvesters and earthmoving equipment.

Silencers & Pipework can be either Alum, Mild or Stainless Steel

Heat resistance glass fibre sleeve shown in this picture can withstand temperatures up to 700 degrees, it is used to insulate manifold pipes around the engine, to ensure heat transfer is kept to a minimum.

Heat shields can be provided for all silencer and pipework

Other types of insulation wrap can also be supplied, see material stock section for more detail.



MULMUF LTD

Sligo Road Tubbercurry, Co Sligo, Ireland
 Tel : +353 (0) 7191 85594 Fax : +353 (0) 7191 85846
 e-mail: info@mulmuf.com

MULMUF NI LTD

199 Killyman Road Dungannon, Co Tyrone, N. Ireland, BT71 6LN
 Tel : 028 87 727992 Fax : 028 87 727972
 e-mail : sales@mulmuf.com

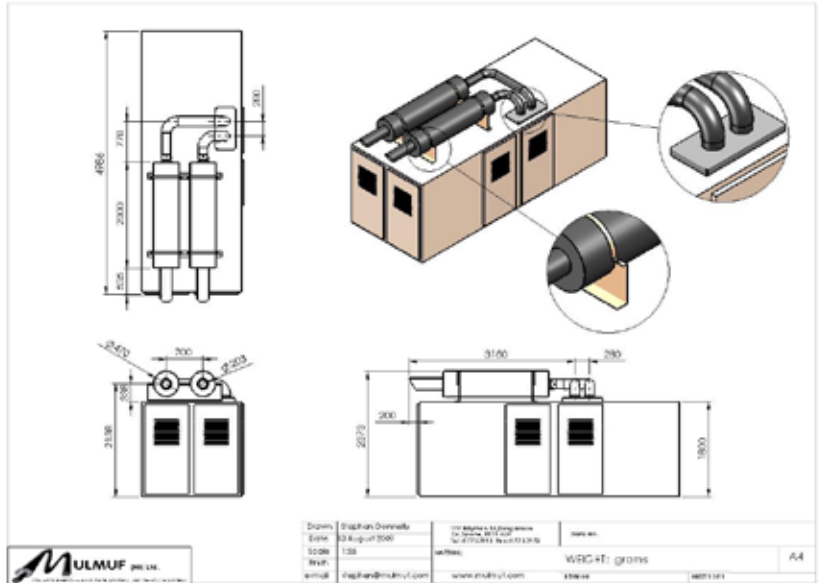
Design Capabilities



and recognises the importance of investing in the continuous improvement in computer technology. This is why we use the latest in 3D drawing technology, and combined with highly trained staff, customers old and new can be assured they are in safe hands.

Mulmuf is committed to supporting our customers and contributing to their continued success. Subsequently our Design Team concentrates on the development of new processes, ensuring the unique applications of our customers are satisfied efficiently and accurately.

Through the experience that our engineering and design teams have built up, we have a greater understanding of our customers needs than ever before. Mulmuf has always been focused on improving business methods,



Test Facility



Noise Testing

There are many ways of moderating or reducing the effects of excessive noise levels. At Mulmuf we strive to meet your needs in the reduction of noise in your specific application. Our expertise in the manufacturing of silencers gives us the knowledge to meet the requirements of the industry. Remember noise levels above 85 dBA will harm hearing over time. Noise levels above 140dBA can cause damage to hearing after just one exposure. Mulmuf can provide data sheets on noise testing subject to our clients requirements.

Back Pressure Testing

Excessive exhaust back pressure can cause many different problems to an engines performance, such as reduced power, poor fuel economy, higher exhaust emissions and over heated cooling system. Mulmuf can design and test exhausts systems in house which will reduce these back pressure problems.



MULMUF LTD

Sligo Road Tubbercurry, Co Sligo, Ireland
Tel : +353 (0) 7191 85594 Fax : +353 (0) 7191 85846
e-mail: info@mulmuf.com

MULMUF NI LTD

199 Killyman Road Dungannon, Co Tyrone, N. Ireland, BT71 6LN
Tel : 028 87 727992 Fax : 028 87 727972
e-mail : sales@mulmuf.com

Material Stock



Mulmuf stock a wide variety of raw materials which can be sold on as individual items if required.

We stock a wide selection of Mild, Aluminised, and Stainless Steel light wall tubing. All lengths are 6.1 meters, with diameter sizes ranging from 38mm to 203mm.



Perforated Mild and Aluminised steel tubes are available in 6.1 meter lengths, with diameters ranging from 25mm to 89mm.



Mulmuf can offer a wide selection of noise and heat absorbing materials, e-glass shown in the picture and Basalt Fibre is commonly used to reduce exhausts noise. We also have needle mat, foil back e-glass and glass fibre manifold sleeves which significantly reduce heat transfer.



Both Oval and Round baffles are available in a wide variety of sizes.

Please contact us about full stock listings.

Accessories



Braided flexible sections are ideal for installing between the engine and silencer to reduce engine noise and vibration. We stock bore sizes ranging from 2" - 5"



Bellows are designed to compensate for thermal and mechanical movement in pipelines. We stock sizes ranging from 2" - 6 1/4"



Heavy Wall weld bend's, range from 2" to 6 1/4"



Wide selections of Band & U-bolt clamps are in stock at all times.



Rain caps are widely used on Generators, Lorries, Tractors etc. Size available from 2" - 6"



Silencer straps can be made to suit any diameter.



Flared pipe can be made to suit many different types of V-Clamps



Many different types of cuffed adaptors can be made to suit customer requirements.